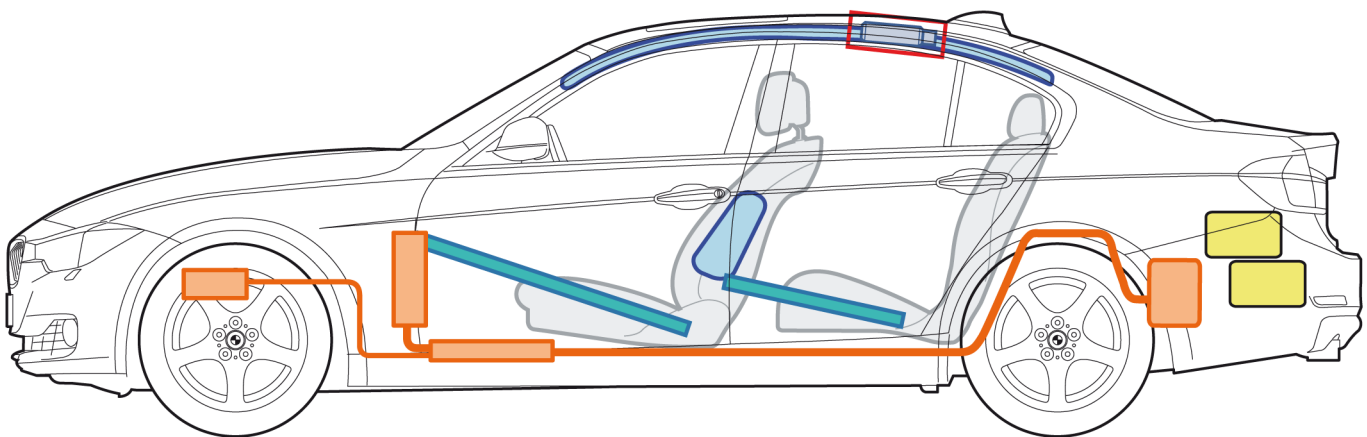
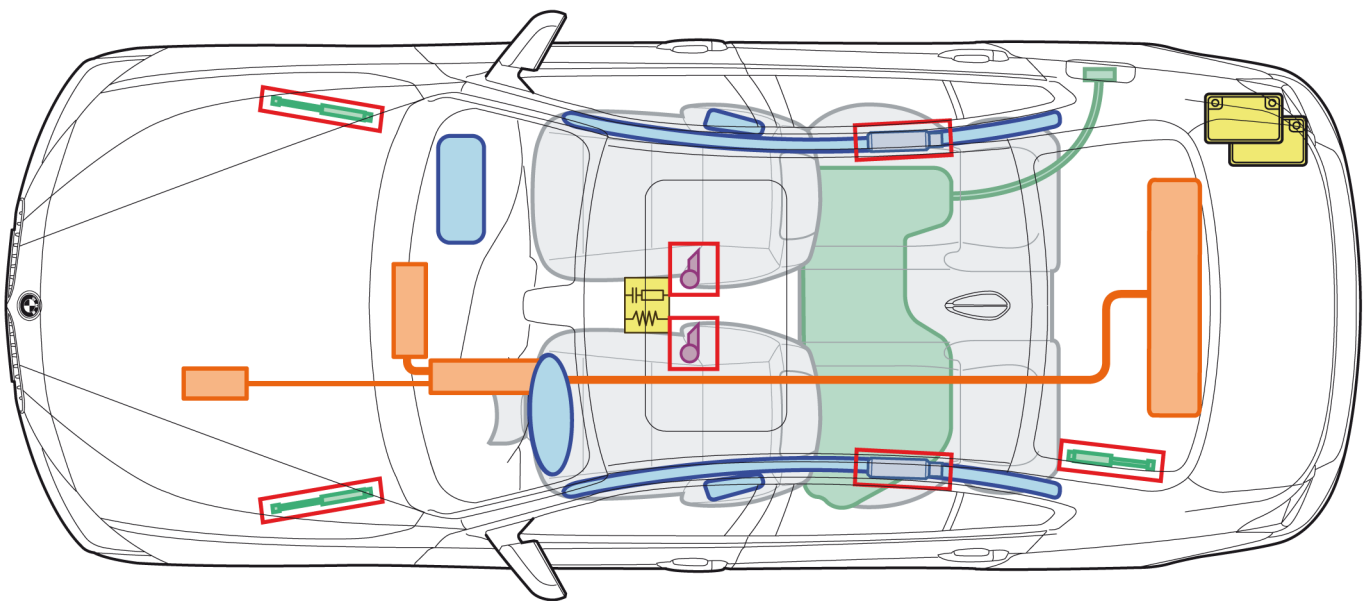


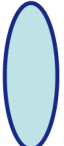










3 Series ActiveHybrid 3 F30

(from 07/2012)



Legend

	Airbag		Body reinforcement		Airbag control unit
	Gas generator		Gas-filled shock absorber		12 V battery
	Belt tensioner		Fuel tank		High-voltage components

This overview shows the maximum possible vehicle equipment.



Danger to life!

Do not touch high-voltage components!

Special features:

High-voltage system with direct current voltage up to 385 volts!

Identifying features and details below.

Identifying features:

"ActiveHybrid 3" lettering on side wall and front door sill finishers.

Wheel rims.




Secure vehicle to prevent it rolling.



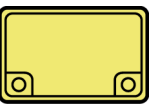
Press "P" button.



Apply parking brake.

	<p>Airbag activated The high-voltage system is automatically deactivated (de-energised) if an accident is experienced that triggers the airbags.</p>
---	--

Deactivate the electric motor and high-voltage system (switch to de-energised) Variant 1 - Airbag not activated.

	<p>Remarks: The negative terminals of the 12 V batteries must always be disconnected. Disconnecting the negative terminals of all 12 V batteries will automatically deactivate (de-energise) the high-voltage system.</p>
---	---

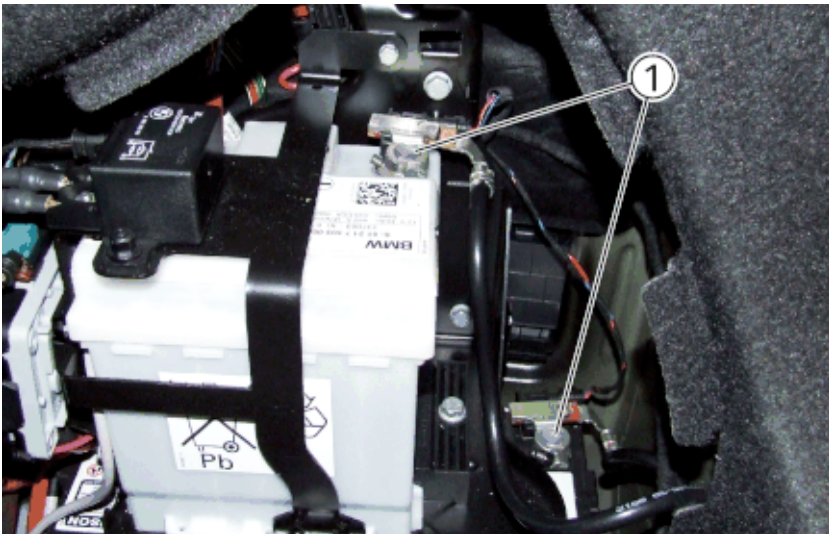
(ignition and 12V battery are accessible)



1. Press the start/stop button while the engine is running. The engine will shut off.

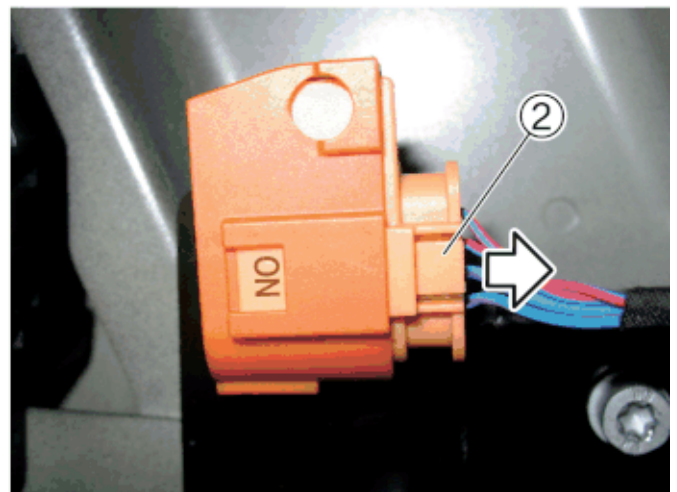
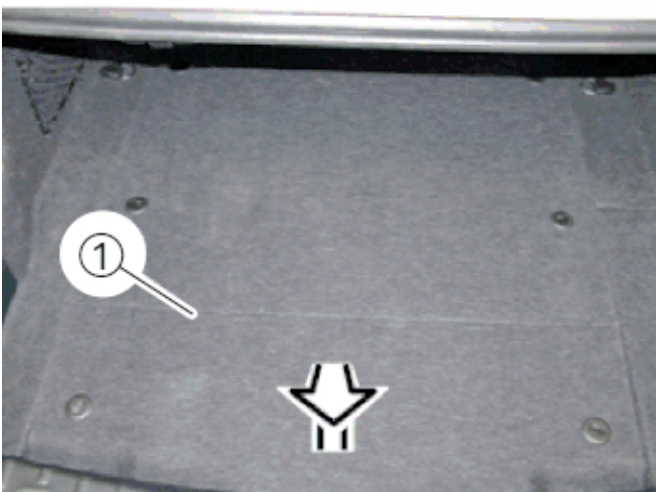


2. Open the tailgate and remove the service flap (1) from luggage compartment trim panel on the right.

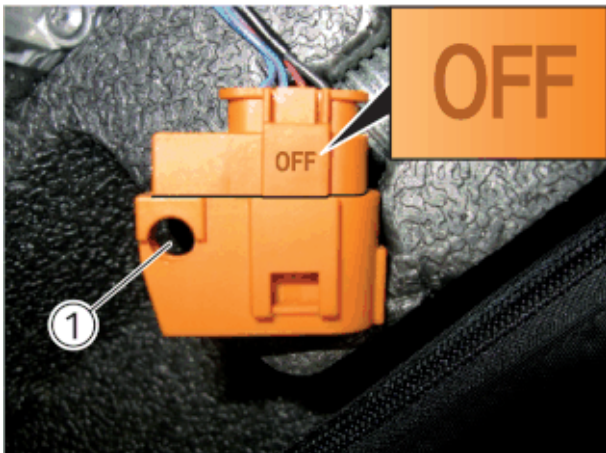


3. Loosen the nuts and pull the battery earth leads (1) out toward the top. Cover the battery earth lead, in order to prevent contact to the battery terminals.

Deactivate the high-voltage system (switch to de-energised) Variant 2



1. Open luggage compartment.
2. Take out luggage compartment floor trim panel (1).
3. Unlock the high-voltage safety connector (2) and pull apart in the direction of arrow.



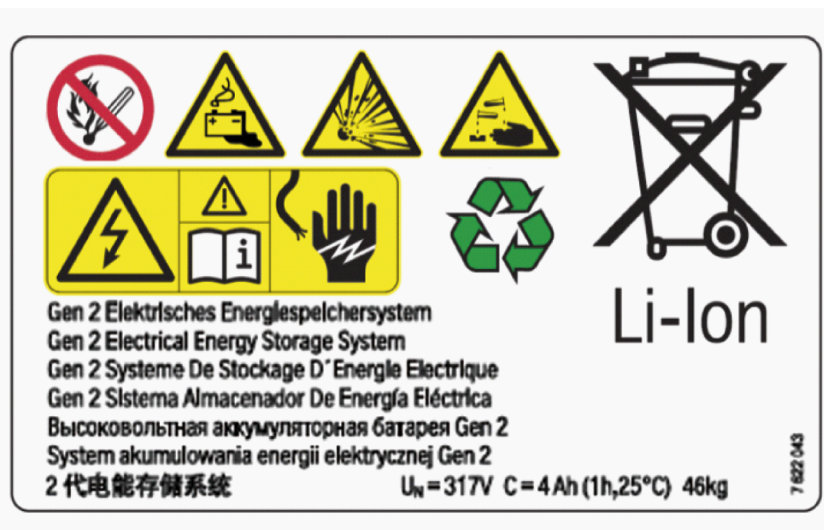
The high-voltage system is deactivated when bore hole (1) is completely free and the word "OFF" can be seen on the connector.

For example, you can install a padlock through the open bore hole (1) to prevent unintended activation of the high-voltage system!

NOTE: The plug connection cannot be fully disconnected.

The high-voltage battery is located underneath the luggage compartment trim panel.

Identification of high-voltage battery:



Identification feature for other high-voltage components:

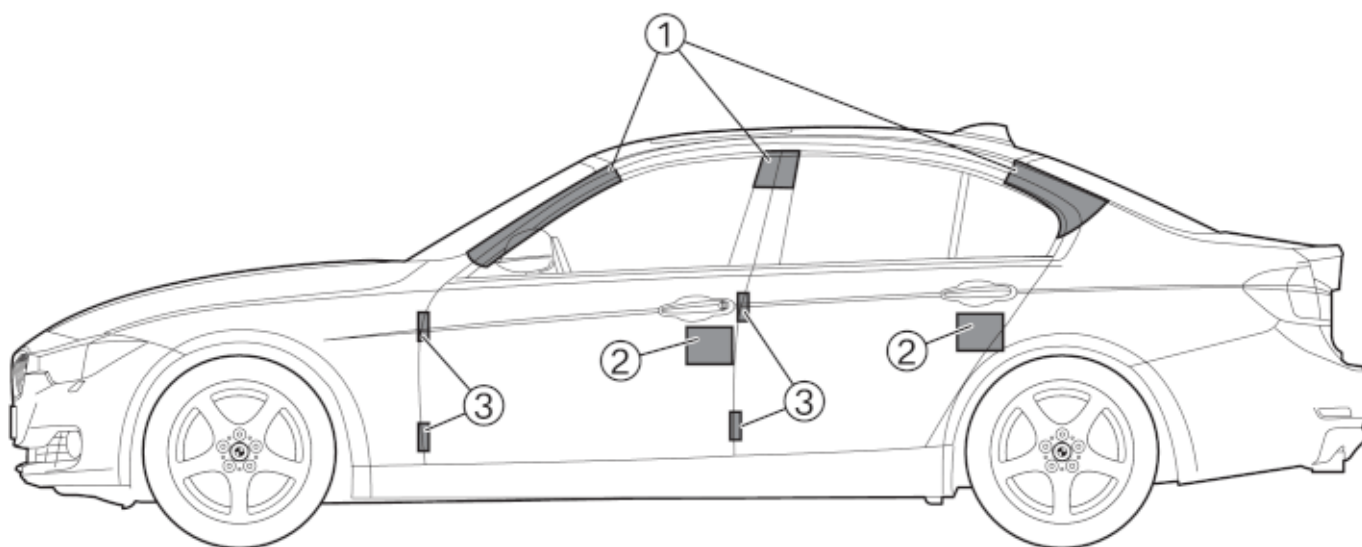


Identification of the high-voltage cable (1) (insulation / orange coating).



Opening the vehicle

These notes apply exclusively to trained emergency service personnel. Knowledge of the function and operating principle of the safety systems and vehicle characteristics is also needed.



1. The areas mark the zones at which the roof can be cut off.
Modern heavy duty cutting equipment is mandatory for cutting the body; older hydraulic cutting tools could be overloaded.
The heavy duty cutting equipment must be properly used by trained and qualified personnel.
2. Door locks
3. Door hinges

Important information

The information for the rescue personnel needs to be adhered to, see rescue manual.