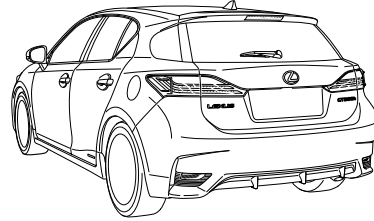
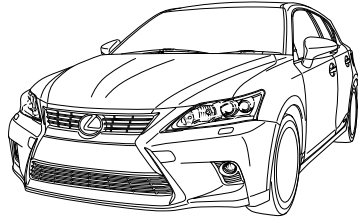


CT200h

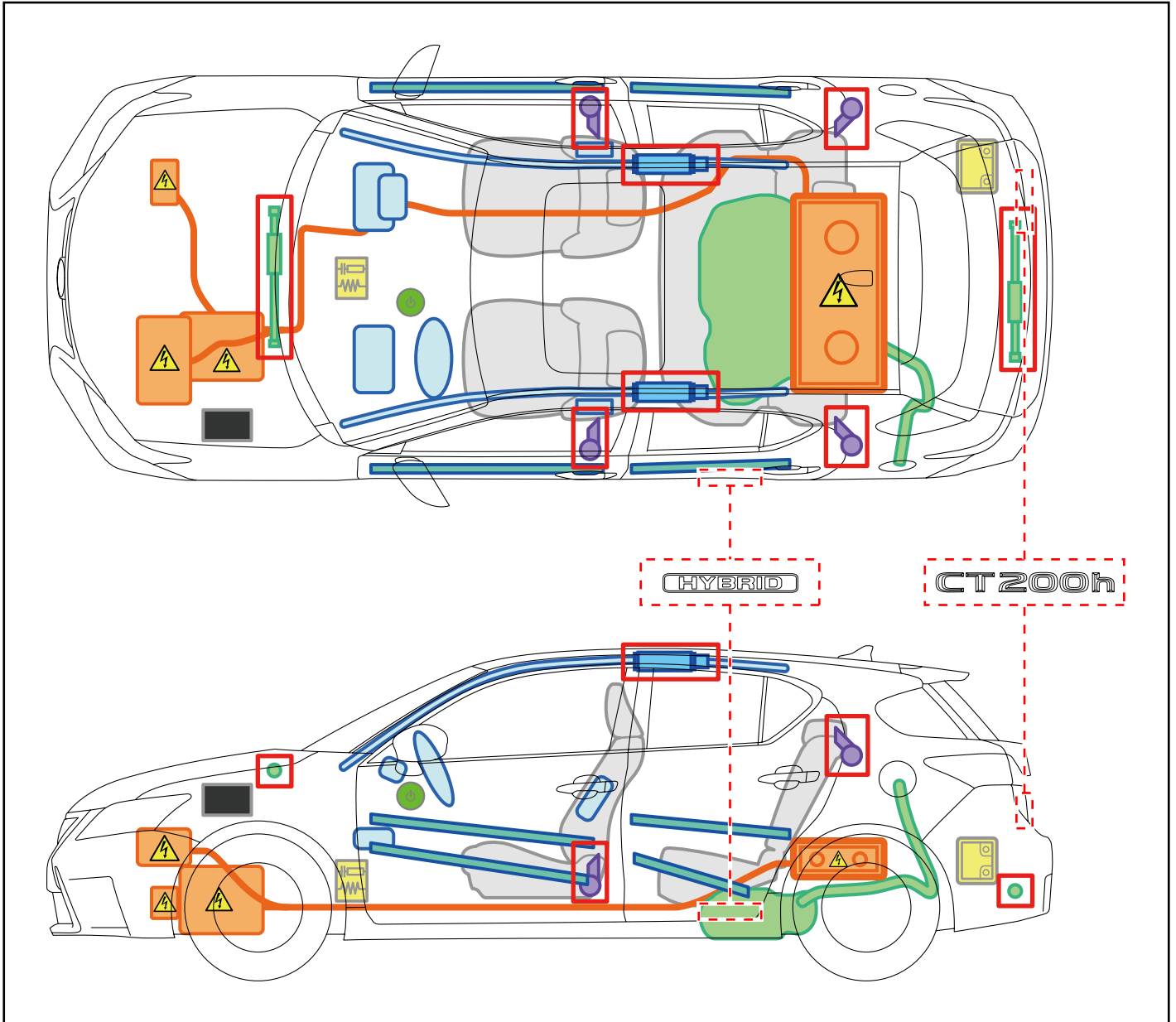
Emergency Response
Quick Reference

MY: 2014 -



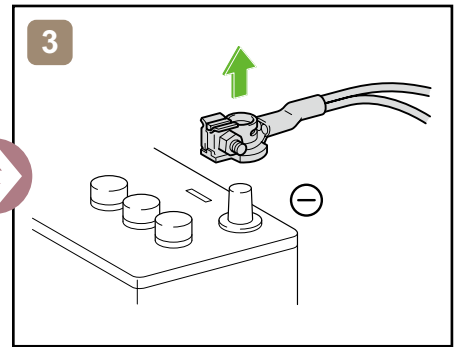
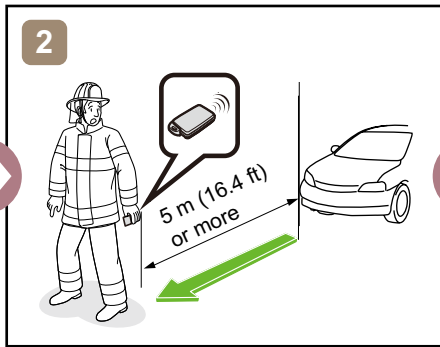
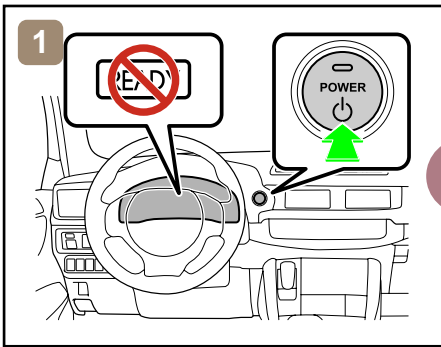
LEXUS

LEXUS
HYBRID
DRIVE

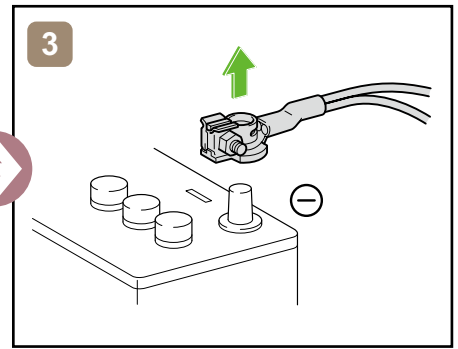
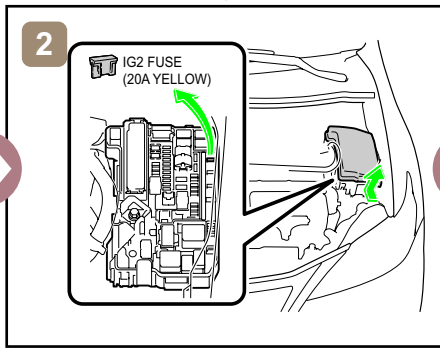
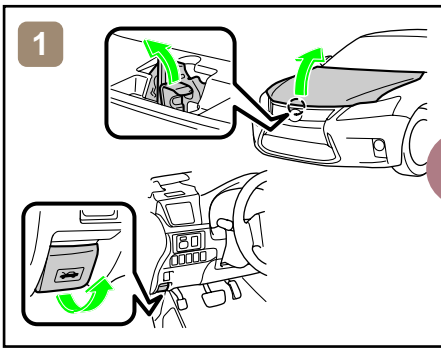


	IG/POWER SW		Fuse Box		12V Battery
	Airbag (incl. Inflator)		Inflator		High Voltage Battery
	High Voltage Components		Fuel Tank		Gas-filled Damper
	Seat Belt Pretensioner (Gas Generator)		Structural Reinforcements		Airbag Computer
-	-	-	-	-	-

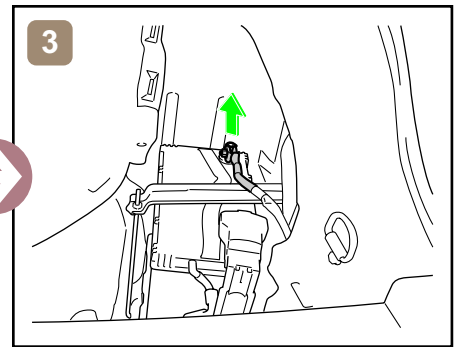
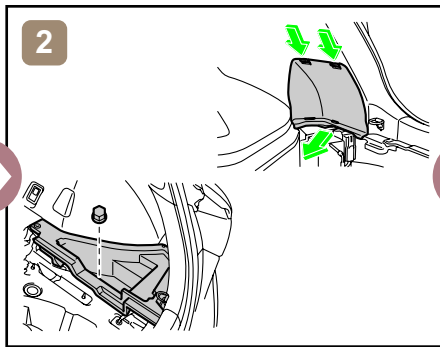
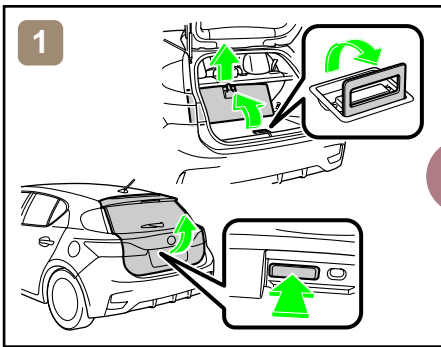
Disable Vehicle



or



Access to 12V Battery



Towing Information

