

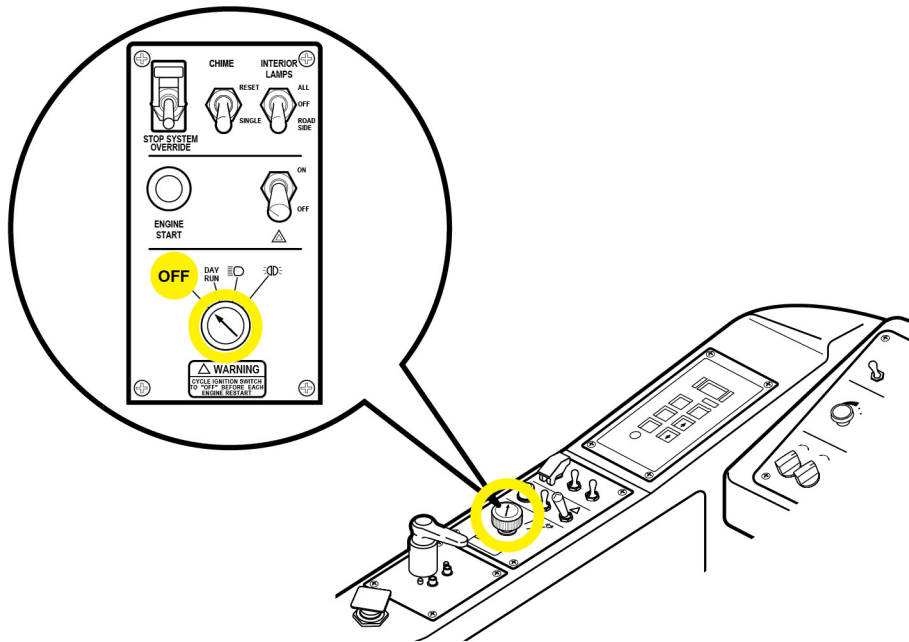


EMERGENCY MANUAL SHUTDOWN

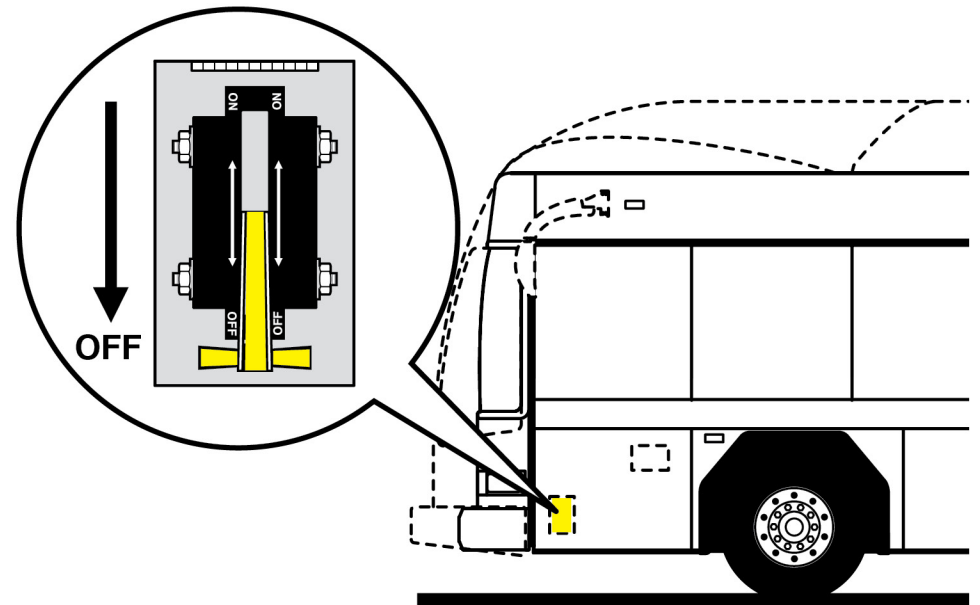
GILLIG ELECTRIC BUS

THE FOLLOWING ACTIONS WILL SHUT DOWN THE ELECTRIC BUS:

- 1** TURN **IGNITION SWITCH TO OFF** and SET **PARKING BRAKE**.



- 2** TURN **OFF BATTERY DISCONNECT SWITCH** (FRONT DRIVER SIDE)



- 3** Inform **EMERGENCY PERSONNEL** of the onboard high voltage components. (See other side)

- 4** Wait mandatory **4 MINUTE DISCHARGE** period after shutdown before accessing electric drive components!

EMERGENCY RESPONSE GILLIG ELECTRIC BUS



WARNING

Operating voltage of the electric drive system is **700 VOLTS!**

Redundant HVIL (high voltage interlock loop) systems protect all circuits and components, **but it is still possible to receive a fatal electric shock from the high voltage system.** Avoid cutting, or even handling, orange high-voltage cables or high voltage components, as this could result in severe injury or death!

See reverse of this card for system shutdown information.



WARNING

Lithium ion batteries contain flammable liquid electrolyte that may vent, ignite, and produce sparks when subjected to temperatures higher than 150° C (302° F) when damaged. Burning cells can ignite other batteries in close proximity. The interaction of water or water vapor and exposed lithium hexafluorophosphate (Li PF6) may result in the generation of hydrogen and hydrogen fluoride (HF) gas. Contact with battery electrolyte may be irritating to skin, eyes, and mucous membranes. Fire will produce irritating, corrosive, and/or toxic gases. Fumes may cause dizziness or suffocation.



WARNING

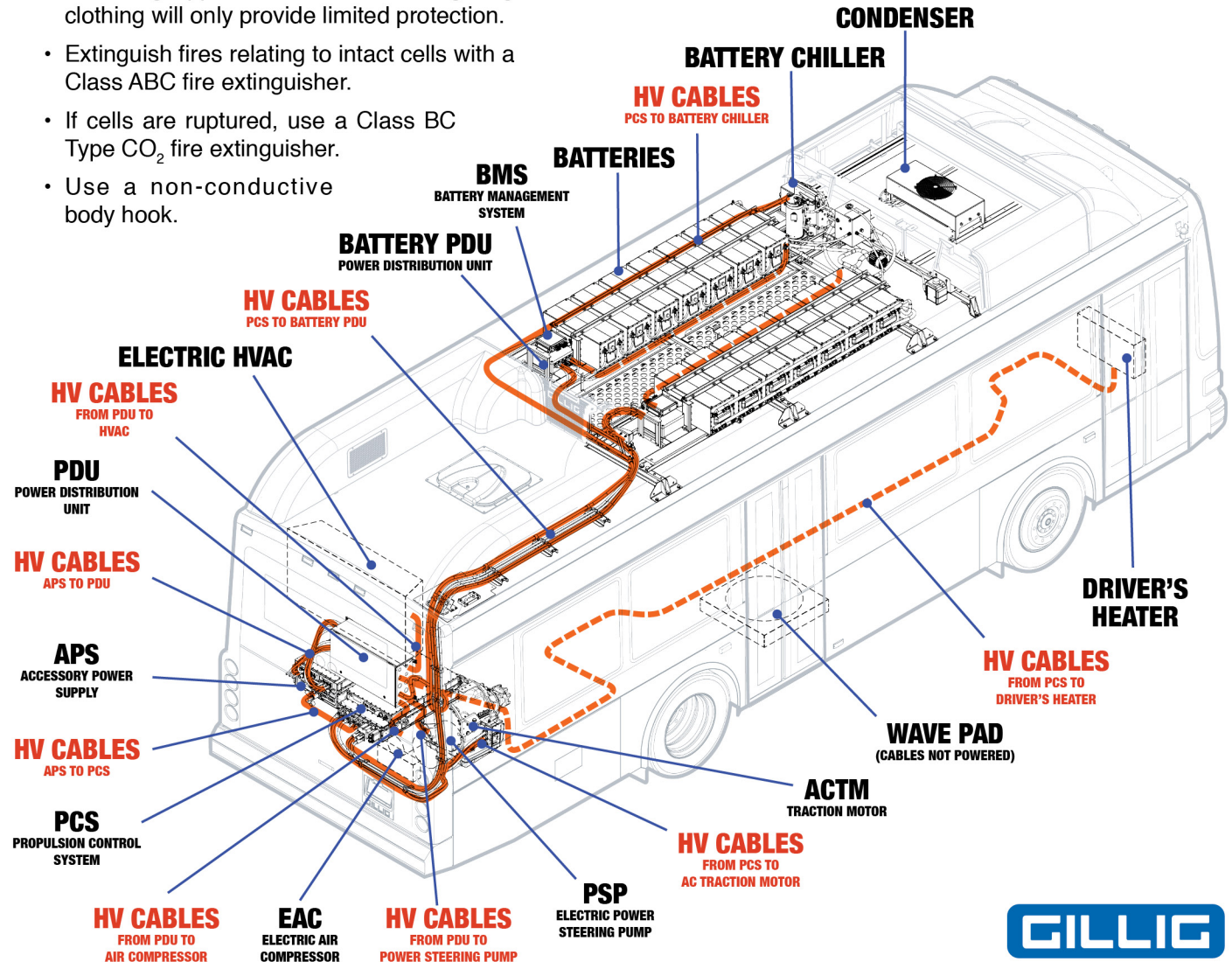
In Case of Fire:

- Wear positive pressure self-contained breathing apparatus; structural firefighting clothing will only provide limited protection.
- Extinguish fires relating to intact cells with a Class ABC fire extinguisher.
- If cells are ruptured, use a Class BC Type CO₂ fire extinguisher.
- Use a non-conductive body hook.



WARNING

If working near high voltage cabling or components, use 1,000 VDC electrical gloves, rubber-soled shoes, and make sure you and the environment are perfectly dry.



EMERGENCY RESPONSE GILLIG ELECTRIC BUS

