

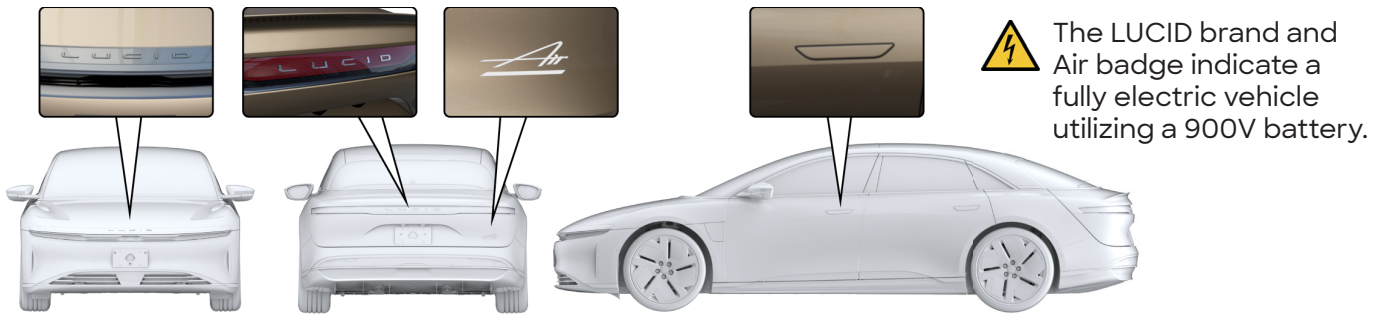
	Airbag		Stored gas inflator		Seatbelt pretensioner		SRS Control Unit		Pedestrian protection active system
	Automatic rollover protection system		Gas strut / pre-loaded spring		High strength zone		Zone requiring special attention		
	Battery low voltage		Ultra capacitor, low voltage		Fuel tank		Gas tank		Safety valve
	High voltage battery pack		High voltage power cable / component		High voltage disconnect		Fuse box disabling high voltage system		Ultra capacitor, high voltage



Cable Cut

1. Identification / Recognition

⚠️ LACK OF ENGINE NOISE DOES NOT MEAN VEHICLE IS OFF. SILENT MOVEMENT OR INSTANT RESTART CAPABILITIES EXIST UNTIL VEHICLE IS FULLY SHUT DOWN. WEAR APPROPRIATE PPE.



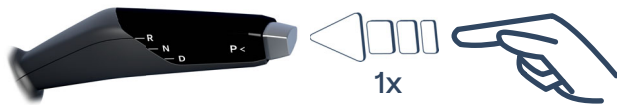
2. Immobilization / Stabilization / Lifting

⚠️ AIR MOVES SILENTLY. NEVER ASSUME IT IS POWERED OFF. PROPERLY IMMOBILIZE.

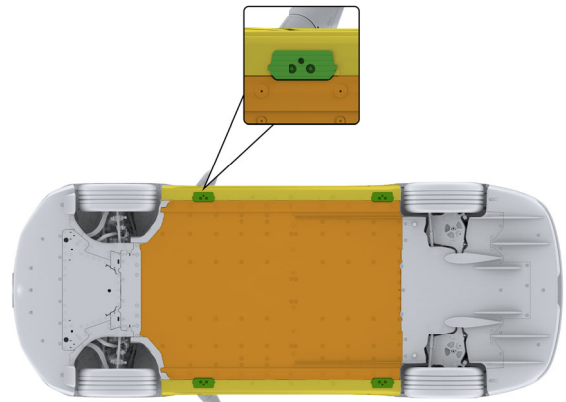
Always chock wheels



Engage Parking Brake



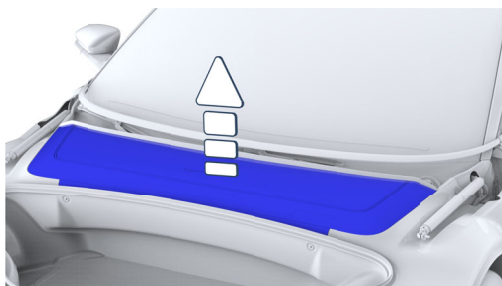
When lifting or stabilizing AIR, ONLY use the designated lift areas, as shown in green.



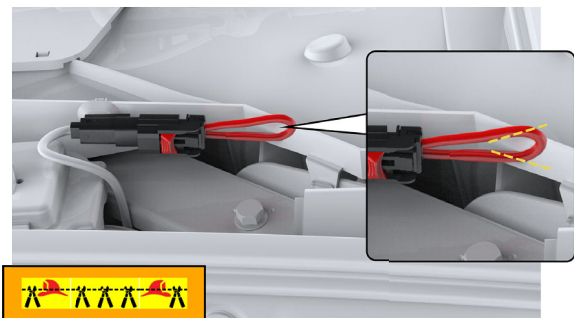
- Appropriate lift areas
- Safe stabilization points for an Air on its side
- High Voltage Battery

3. Disable Direct Hazards / Safety Regulations

1. Open the hood (see Chapter 4).
2. Remove the access panel by pulling it upward to release the clips that hold it in place.



3. Double-Cut the First Responder Loop, then disable 12v power.



⚠️ ⚡ NOT EVERY HIGH VOLTAGE COMPONENT IS LABELED. ALWAYS WEAR APPROPRIATE PPE. ALWAYS DOUBLE CUT THE FIRST RESPONDER LOOP. DO NOT ATTEMPT TO OPEN THE HIGH VOLTAGE (HV) BATTERY.

4. Access to the Occupants

Opening Doors with 12V Power

Press the bottom half of the door handle to engage, then pull the door open.



Opening Doors without 12V Power

Reach inside and use the mechanical release handle located near the window switches.



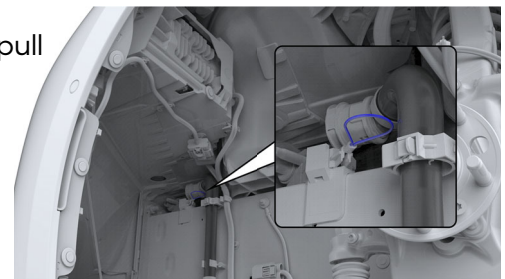
Opening Hood with 12V Power

Touch the associated OPEN button on the touchscreen.



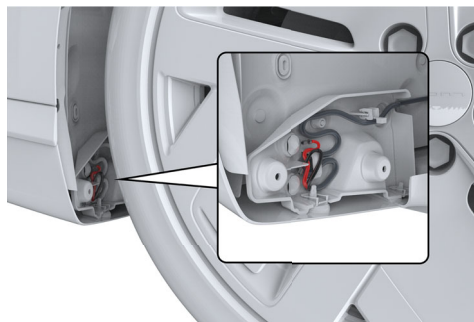
Opening Hood without 12V Power

Remove front wheel liners and double-pull the hood release on each side of the vehicle.

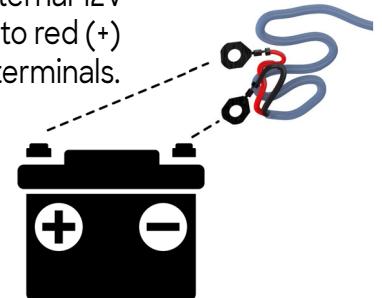


Connecting External 12V Power

1. Expose 12V ring connectors behind the wheel liner to the aft of the rear passenger wheel well.



2. Connect external 12V power supply to red (+) and black (-) terminals.



5. Stored Energy / Liquids / Gases / Solids

		<p>12V</p>
		<p>900V</p>

The high voltage battery consists of lithium-ion cells. These cells are considered dry cells and do not contain enough liquid to create a pool. If there is leakage, it is likely coolant or transmission fluid.

The high voltage battery and drive unit(s) are liquid cooled with an organic acid automotive coolant called Dexcool. This coolant is orange in color.

The Drive Units are filled with Automatic Transmission Fluid (ATF) which is red in color.

6. In Case of Fire



WATER SHOULD ALWAYS BE USED TO FIGHT A HIGH VOLTAGE BATTERY FIRE IN A LUCID AIR, or if the battery is exposed to high temperatures, or is showing signs of heat or gas release. Lucid recommends that firefighters establish a water supply early in the incident to ensure cooling efforts can be maintained, as it may require between 3000 and 8000 gallons of water to fully cool and extinguish a battery fire.

1. Apply water directly to the battery case, lifting one side of the vehicle to apply water to the case from under the vehicle. The floor pan will not typically allow for direct cooling of the battery case from inside the vehicle.
2. A dry chemical, Co2 or other fire extinguisher may be used until the arrival of water.
3. Firefighting foams or other extinguishing agents should not be used.
4. Lucid does NOT recommend submerging the vehicle/battery in an attempt to cool the battery.
5. If thermal runaway is detected (by use of a thermal imaging camera or other means) in a significant amount of the battery, firefighters should use an opening in the battery to direct water inside the battery case. **FIREFIGHTERS SHOULD NOT OPEN, PUNCTURE OR ATTEMPT TO CREATE AN OPENING IN THE BATTERY!**
6. Firefighters should direct the hose stream onto a single battery hot area for several minutes before moving onto another hot area of the battery. Sweeping the hose stream around the battery is not recommended.
7. Stop applying water occasionally, allowing heat to transfer to the case, and monitor temperature using a TIC.
8. Use a TIC to monitor the battery for at least 45 minutes to ensure that the battery does not rise above ambient temperatures. After this time, the vehicle may be released to second responders.
9. Second responders should prop the vehicle up to allow for water to drain out of the battery for storage.
10. Second responders should call the Energy Security Agency to perform a Vehicle Risk Analysis as soon as the vehicle has left the incident and before it is placed in storage or responsibility is passed on to another party. 1-855-ESA-SAFE (1-855-372-7233)
11. Small fires not involving the high voltage battery may be extinguished using typical vehicle firefighting methods.
12. Firefighters should always avoid contact with high voltage components, using insulated tools and equipment.

7. In Case of Submersion

Treat a submerged AIR like any other submerged vehicle. The body of AIR does not present a greater risk of shock because it is in water. However, wear appropriate PPE when handling any submerged vehicle. Remove the vehicle from the water and continue with normal high voltage disabling.



8. Towing / Transportation / Storage

Use a **flatbed** tow truck.



50 feet (15 meters)

Store in open area for up to 24 hours, and monitor with thermal imaging camera.

9. Important Additional Information

First Responders and Second Responders with emergencies, call 888-99-LUCID (888-995-8243).

10. Explanation of Pictograms



In some working environments, the Infrared (IR) device is referred to as a Thermal Imaging Camera (TIC).

	LUCID AIR SEDAN	ID No.	Version No.	Page No.
	From 2021 - Present	LUCID-AIR-042021-001	01	04 / 04



Third Party Towing Guide

LUCID

Contents

Instructions for Transporters	1
Transporting the Vehicle	1
Preparing Vehicle for Transportation	2
Pulling vehicle onto Trailer / Transporter	4
Opening Trunk.....	5
Connecting External 12V Power.....	6
Installing recovery eye.....	7
Securing Vehicle for Transportation.....	8

Instructions for Transporters

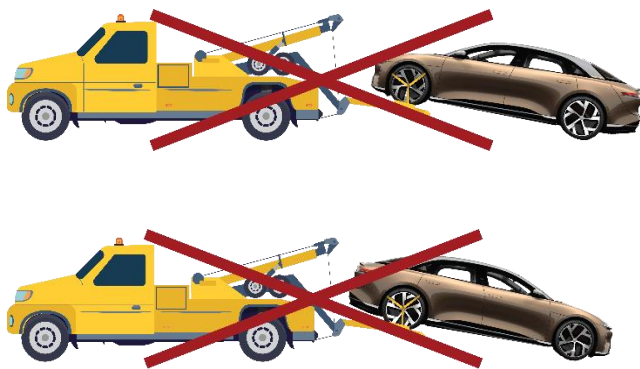
Transporting the Vehicle



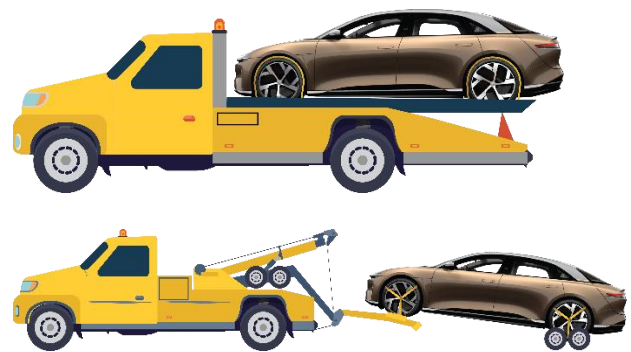
Caution: Towing the Vehicle with the wheels on the ground, or on a suspended lift may cause serious damage to the vehicle as well as generating high voltages in the vehicle's electrical components.

If for any reason the vehicle cannot be driven, the only method approved by Lucid for recovering or transporting is using a flatbed tow truck or wheel-lift tow truck with rear wheels on a dolly.

Not Approved



Approved



Preparing Vehicle for Transportation

- ⚠ **Caution:** In the unlikely situation in which the vehicle's electrical systems are not functioning and the parking brake cannot be disengaged, wheeled dollies or skid pads* must be used under the rear wheels to prevent damage to the vehicle.

The vehicle automatically applies the parking brake whenever the vehicle is in P (Park) or the key fob is no longer in the vehicle.

* GoJak® G6520 or equivalent is recommended for winching onto flatbed with parking brake engaged.

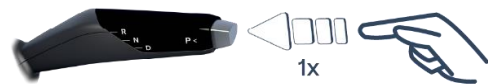
Max Rated Load (lbs): 1625

Max Tire Tread (In): 20

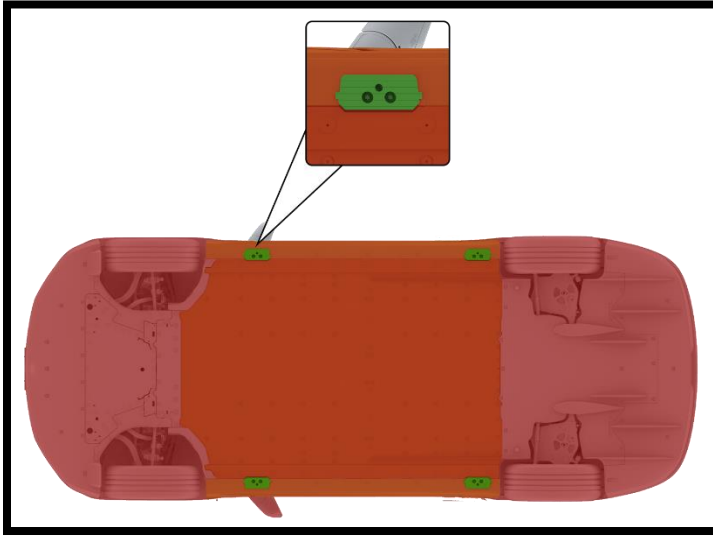


- ⚠ **Caution:** The vehicle moves silently. Never assume it is powered off. Properly immobilize.

- Always chock wheels.
- Engage parking brake if it is not already applied.



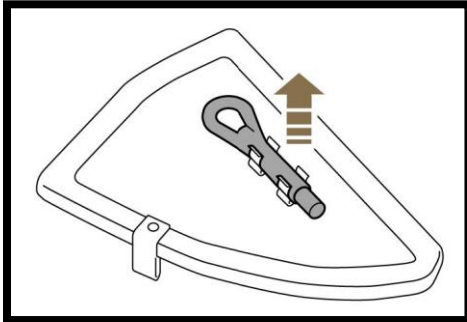
When lifting or stabilizing the vehicle, ONLY use the designated lift areas, as shown in green.



Pulling vehicle onto Trailer / Transporter

The vehicle is supplied with a vehicle recovery eye in the Trunk.


The recovery eye is located on the underside of the RH floor panel.



Caution: Under no circumstances should the vehicle be towed using the vehicle recovery eye. Doing so can cause significant damage to the vehicle.

Opening Trunk

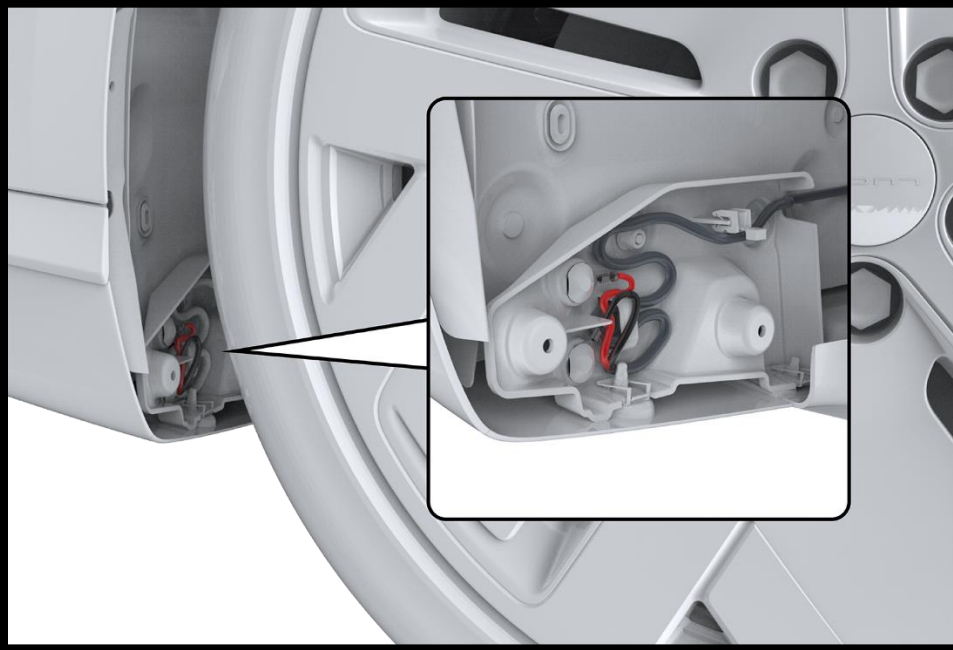
Touch the associated OPEN button on the touchscreen.

 **Note:** This is applicable only if the vehicle has power.

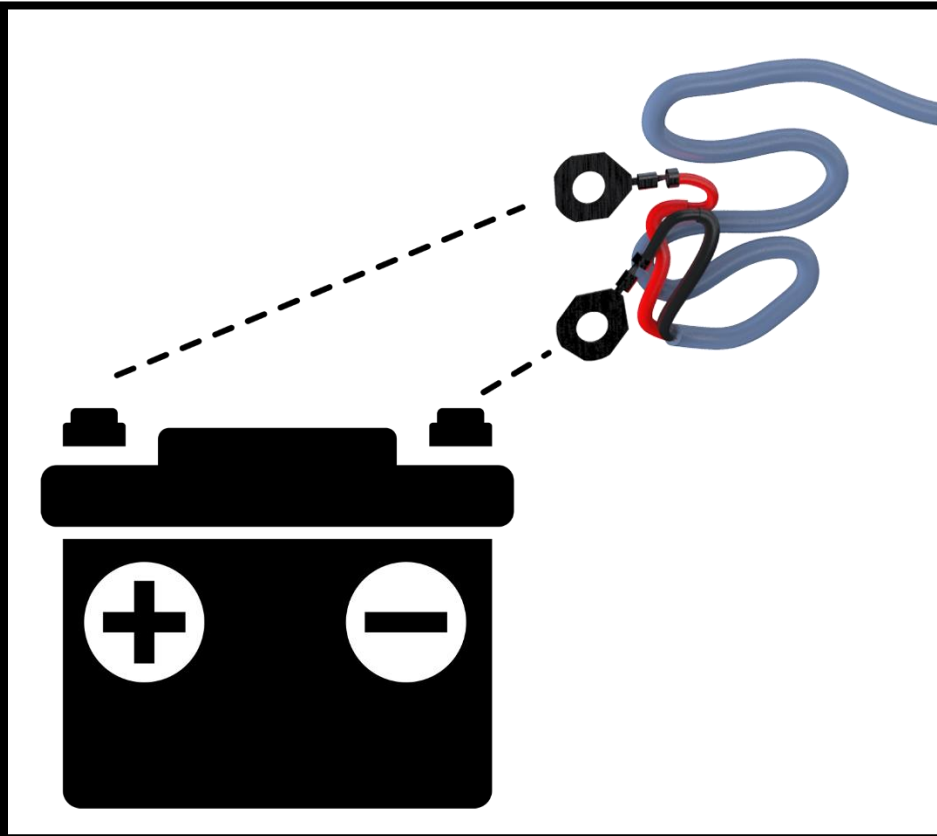


Connecting External 12V Power

1. Expose 12V ring connectors behind the wheel liner to the aft of the rear passenger wheel well.

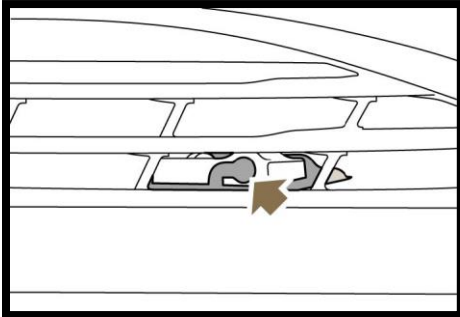


2. Connect external 12V power supply to red (+) and black (-) terminals.

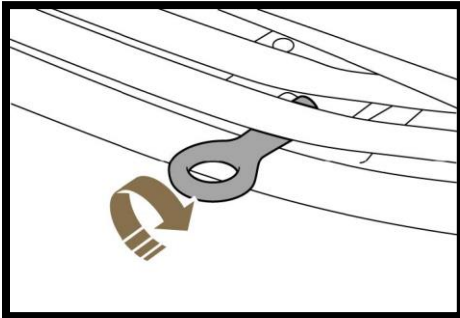


Installing recovery eye

1. Release the rubber cover from the attachment point between the front grille.



2. Position the recovery eye through the bumper and rotate it clockwise into the attachment point on the body until it is fully seated.



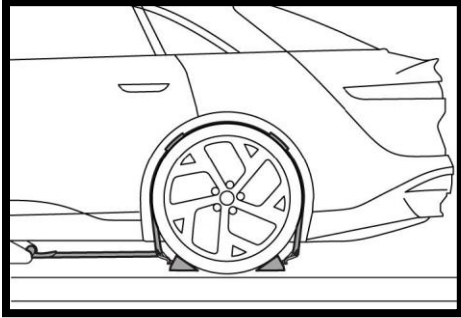
⚠ Caution: Failure to install the recovery eye correctly could result in the recovery eye pulling out of the front of the vehicle, causing significant damage.

3. Attach the winch cable to the recovery eye.
4. Place the vehicle in Neutral (N) or support the rear wheels on GoJaks*.
5. Winch the vehicle slowly onto the trailer or transporter.

! Note: After using the recovery eye, remember to store it back in the trunk and to install the rubber cover on the attachment point.

Securing Vehicle for Transportation

When the vehicle is in position on the transporter or trailer, use chocks and tie down straps to secure the wheels.



To avoid damage:

- Ensure that the metal parts on tie down straps do not contact the vehicle's painted surfaces or the face of any wheels.
- Do not place straps over or through the vehicle's body panels.



Caution: Attaching straps to the chassis, suspension, or other parts of the body can damage the vehicle.

Additional Information:

For additional questions, concerns, or emergencies, call 888-99-LUCID (888-995-8243).